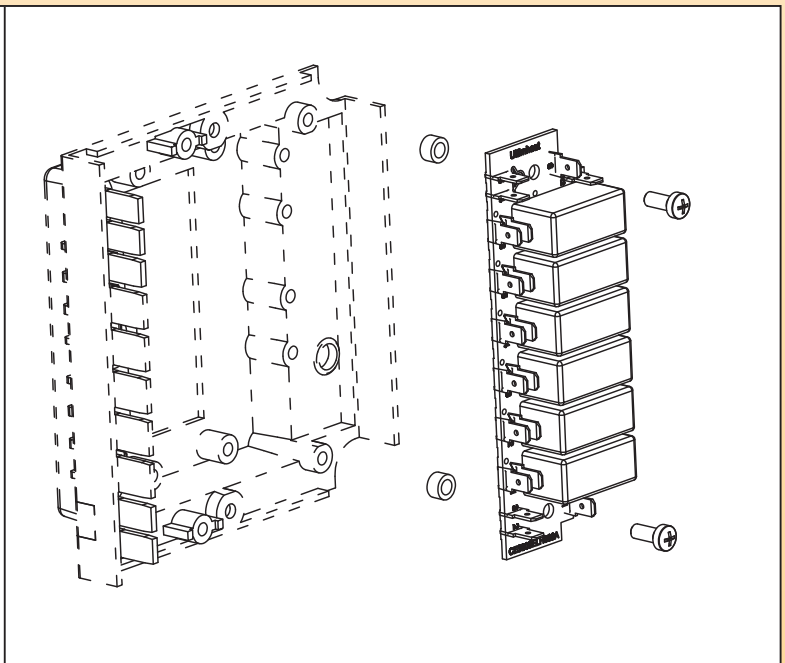
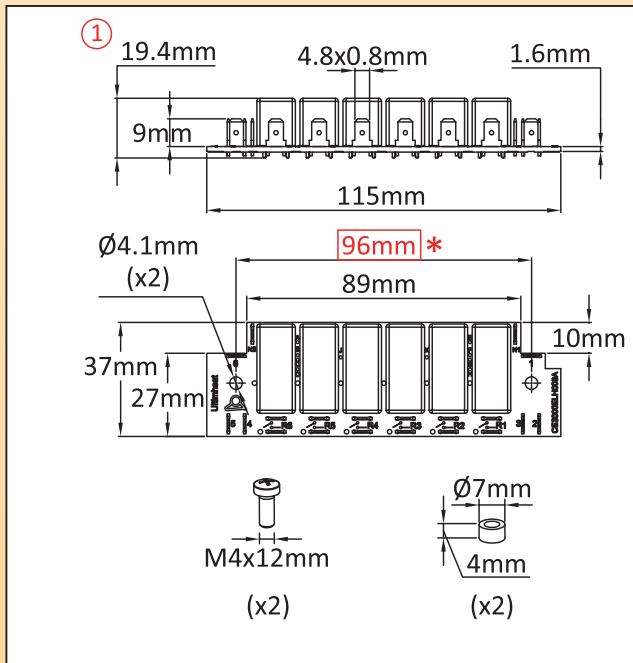
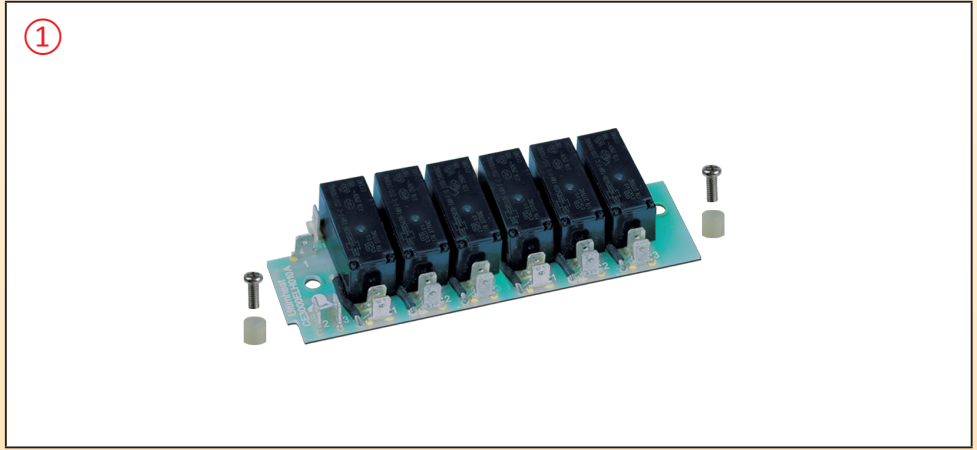


## Relay boards, with 4 to 6 miniature relays, rating 16A 250V, coil 220/240V. One of their application is to convert single pole devices into 3 poles

Minimum Size	Maximum Size	Material	Type	Model
<b>37 × 115 × 19.4mm</b>	<b>37 × 115 × 19.4mm</b>	<b>PCB</b>	<b>Relay boards</b>	<b>6YRE</b>

Compatible with:	
<input checked="" type="checkbox"/> Y3N2	<input checked="" type="checkbox"/> Y309
<input checked="" type="checkbox"/> Y3N3	<input checked="" type="checkbox"/> Y3J2
<input checked="" type="checkbox"/> Y3N4	<input checked="" type="checkbox"/> Y3G2
<input checked="" type="checkbox"/> Y310	



### Main references

Quantity of relays	Independent relays	Coupled relays
4	6YREC230416SF000	6YREC230416PF000
5	6YREC230516SF000	6YREC230516PF000
6	6YREC230616SF000	6YREC230616PF000
2x3	-----	6YREC230616DF000

### Links

	Page (.pdf)
	Drawing 2D (.dwg)
	Drawing 3D (.stp)

The relay coil is 230V 50 Hz. 24V on request. Maximum load 16A resistive, 100000 cycles. Maximum potential difference between contacts: 250V AC

Red dimensions inside rectangular frames on drawings are used for assembly on enclosures or on fittings.

Because of permanent improvement of our products, drawings, descriptions, features used on these data sheets are for guidance only and can be modified without prior advice

